

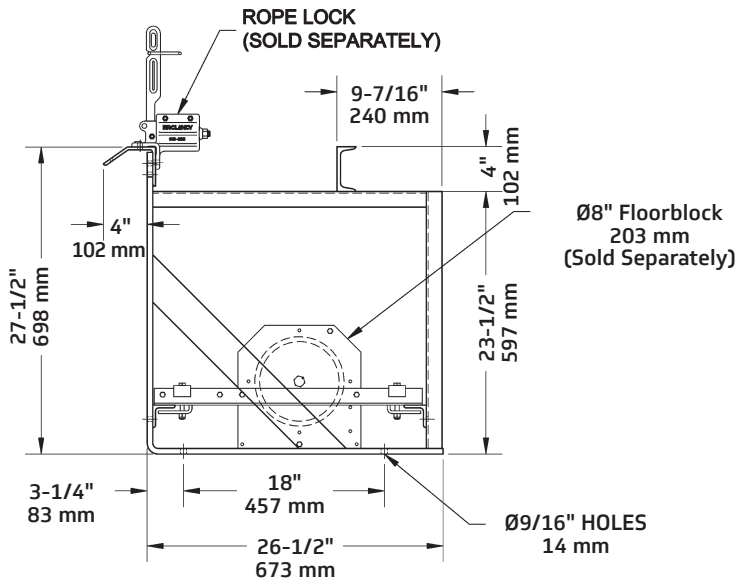
Locking Rails - Wire Guide

- Locking rails support rope locks and the index cards used to identify sets
- Two angles are provided to support 855M floor blocks
- Rope locks and index cards are mounted on a 3" x 5" x 1/4" (76 mm x 127 mm x 6 mm) formed, pre-punched steel angle
- Built to withstand a 500 lb per linear foot (744.5 kg/m) up load (RWL)
- Numbered index cards with a safety warning are included; these can be written on using erasable marker or grease pencil
- A 4" (102 mm) channel is provided as a lower bumper for counterweight arbors
- Mounts to the stage floor; mounting method must be able to withstand the imposed load
- Mounting stanchions are located on 5' (1524 mm) (maximum) centers and made from 1/2" x 3" (13 mm x 76 mm) flat bar and 3" (76 mm) channel
- Three-year warranty against defects in materials or workmanship is provided on all J.R. Clancy equipment, additional warranty information is available at jrclancy.com



Wire Guide Locking Rail
011-518R6

Dimensions



Order Information

| Number | Type | Set Centers | Weight |
|----------|-----------------|-------------|--------------------|
| 11-518R6 | Single Purchase | 6" (152 mm) | 31 lb/ft (14 kg/m) |
| 11-518R8 | Single Purchase | 8" (203 mm) | 31 lb/ft (14 kg/m) |
| 11-518D6 | Double Purchase | 6" (152 mm) | 31 lb/ft (14 kg/m) |
| 11-518D8 | Double Purchase | 8" (203 mm) | 31 lb/ft (14 kg/m) |

RWL: RWL is maximum load that can be applied to the locking rail which is in "like new" condition and has been properly installed, maintained, and operated.

